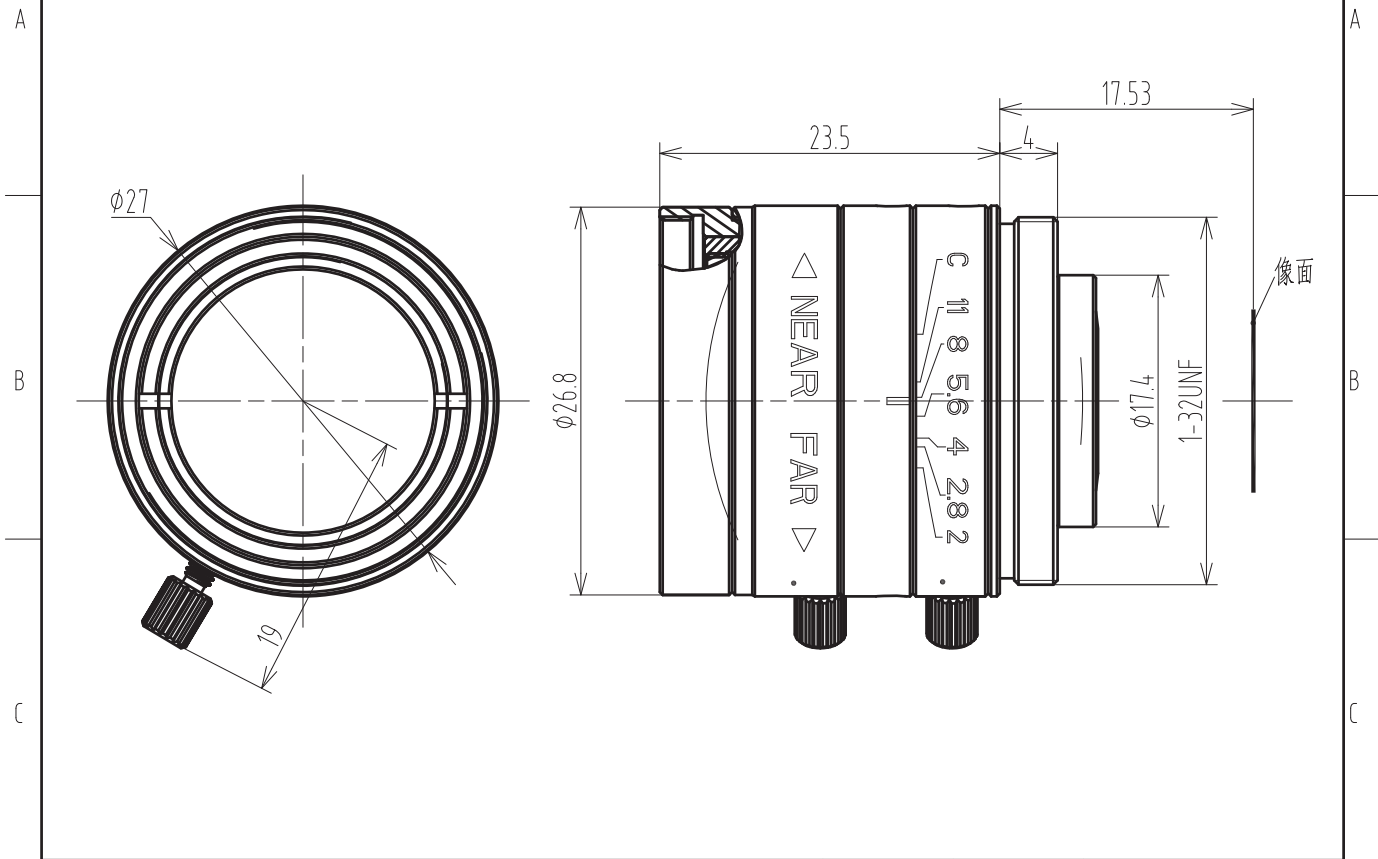


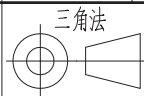
SFA0620-5M



1/1.8" F2.0 C Mount

		Working distance			Optical Magnification	1/1.8" Field of View(mm)		
		mm				H	V	
Focal Length		f=6mm						
F/NO		F=1:2.0-C			900	0.007X	1026	769.5
Image Size		1/1.8"(7.2x5.32mm)	1/2.5"(5.76x4.32mm)	1/3"(4.8x3.6mm)	850	0.007X	969.8	727.3
Angle FOV	H	59.6°	48.7°	41.9°	800	0.008X	913.5	685.2
	V	46°	36.5°	31.4°	750	0.008X	857.3	643
	D	69.8°	60.9°	52.4°	700	0.009X	801.1	600.8
Object Dimension at WD.300mm	H	351mm	287.5mm	239.4mm	650	0.009X	744.9	558.6
	V	263.3mm	215.6mm	179.6mm	600	0.010X	688.6	506.5
	D	438.8mm	359.4mm	299.3mm	550	0.011X	632.4	474.3
Distortion (TV)		<0.1%			500	0.012X	576.2	432.1
Focus distance(min)		0.1m			450	0.014X	519.9	389.9
Flange back		17.526mm in air			400	0.015X	463.7	347.8
Back focus		11.6mm in air			350	0.017X	407.5	305.6
Filter screw size		M25.5xP0.5			300	0.020X	351	263.3
Front/Rear Effective Dia		Front ϕ 18.12mm Rear ϕ 5.81mm			250	0.024X	295	221.2
Mount		C-Mount			200	0.030X	236.6	177.4
Temperature Range		-10~+50°C			150	0.039X	181.1	135.8
Storage Temperature Range		-20~+60°C			100	0.058X	125.7	94.3

TOLERANCE :
 LINEARITY TOLERANCES \pm 0.05
 ANGULAR TOLERANCES ARE \pm 30'
 DRAFT ANGLES AREA \pm 0.5°/SIDE



材料(环保)

单位 比例

mm 2:1

设计		2015-08-24		名称	规格图	页码
1	2016,06,08	校对				
1	2015,11,26	审核		代号	SFA0620-5M	版本
标记	处数	更改文件号	担当			变更日期