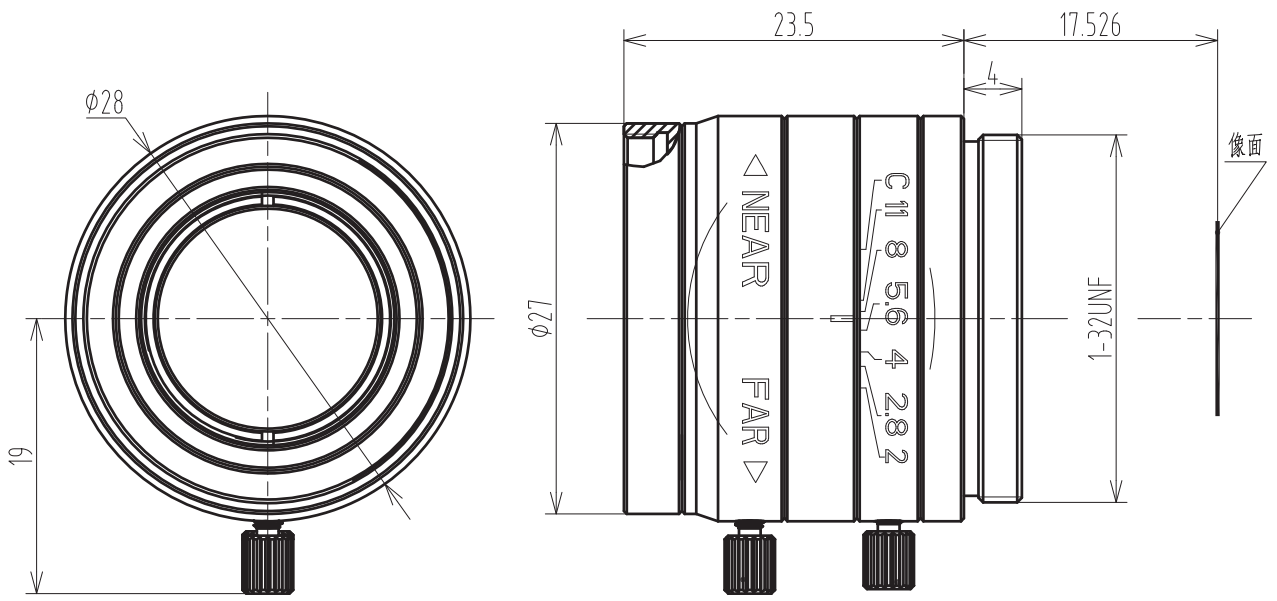


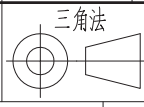
SFA2520-5M



1/1.8" F2.0 C Mount

		Working distance			Optical Magnification	1/1.8" Field of View(mm)	
		mm				H	V
Focal Length		f=25mm			900	254.4	190.8
F/NO		F=1:2.0~C			850	240.1	180.1
Image Size		1/1.8"(7.2x5.32mm)	1/2.5"(5.76x4.32mm)	1/3"(4.8x3.6mm)	800	225.7	169.3
Angle FOV	H	13.6°	13.4°	11.4°	750	211.4	158.5
	V	11.3°	10.3°	8.8°	700	197	147.8
	D	19°	16.2°	13.8°	650	182.6	137
Object Dimension at WD.500mm	H	139.6mm	112.1mm	93.4mm	600	168.3	126.2
	V	104.7mm	84.1mm	70mm	550	153.9	115.4
	D	174.5mm	140.1mm	116.7mm	500	139.6	104.7
Distortion (TV)		<0.1%			450	125.2	93.9
Focus distance(min)		0.1m			400	110.8	83.1
Flange back		17.526mm in air			350	96.5	72.3
Back focus		13.7mm in air			300	82.1	61.6
Filter screw size		M25.5xP0.5			250	67.7	50.8
Front/Rear Effective Dia		Front $\phi 15.2$ mm Rear $\phi 6.6$ mm			200	53.3	40
Mount		C-Mount			150	38.9	29.2
Temperature Range		-10~+50°C			100	24.4	18.3
Storage Temperature Range		-20~+60°C					

TOLERANCE :
 LINEARITY TOLERANCES ± 0.05
 ANGULAR TOLERANCES ARE $\pm 30'$
 DRAFT ANGLES AREA $\pm 0.5^\circ$ /SIDE



材料(环保)

单位 比例
 mm 2:1

设计	2015-07-20	名称	规格图	页码
1	2016,06,08	校对		1/1
1	2015,12,24	审核		版本
标记	处数	更改文件号	担当	变更日期
				批准
			SFA2520-5M	V2