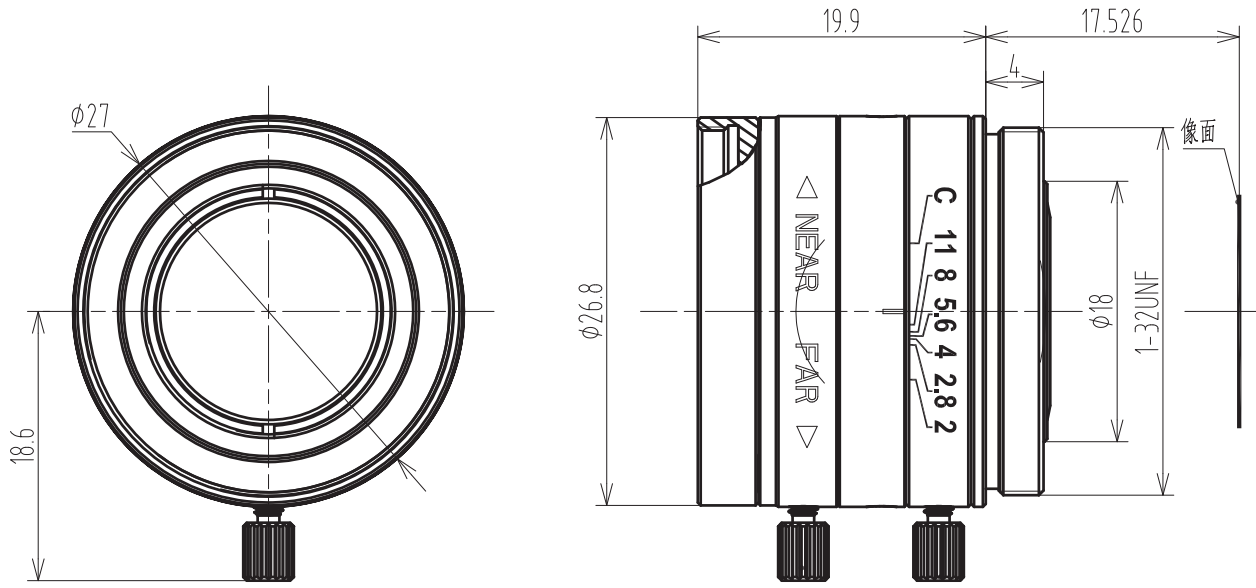


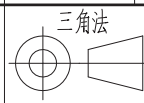
SFA1220-5M



1/1.8" F2.0 C Mount

		Working distance			Optical Magnification	1/1.8" Field of View(mm)		
		mm				H	V	
Focal Length		f=12mm						
F/NO		F=1:2.0-C			900	0.013X	538.7	404
Image Size		1/1.8"(7.2×5.32mm)	1/2.5"(5.76×4.32mm)	1/3"(4.8×3.6mm)	850	0.014X	509	381.7
Angle FOV	H	33.0°	27.2°	22.9°	800	0.015X	479.3	359.5
	V	24.3°	20.7°	17.6°	750	0.016X	449.6	337.2
	D	40.7°	33.3°	28.1°	700	0.017X	419.9	314.9
Object Dimension at WD.300mm	H	182.5mm	147.3mm	122.7mm	650	0.018X	390.3	292.7
	V	136.9mm	110.5mm	92.0mm	600	0.020X	360.6	270.4
	D	228.2mm	180.1mm	153.5mm	550	0.022X	330.9	248.2
Distortion (TV)		<0.3%			500	0.024X	301.2	225.9
Focus distance(min)		0.1m			450	0.026X	271.5	203.6
Flange back		17.526mm in air			400	0.030X	241.8	181.4
Back focus		12.5mm in air			350	0.034X	212.1	159.1
Filter screw size		M25.5×P0.5			300	0.039X	182.4	136.8
Front/Rear Effective Dia		Front ϕ 15.2mm Rear ϕ 6mm			250	0.047X	152.7	114.5
Mount		C-Mount			200	0.058X	123	92.3
Temperature Range		-10~+50°C			150	0.077X	93.3	70
Storage Temperature Range		-20~+60°C			100	0.113X	63.7	47.8

TOLERANCE :
 LINEARITY TOLERANCES ± 0.05
 ANGULAR TOLERANCES ARE $\pm 30'$
 DRAFT ANGLES AREA $\pm 0.5^\circ$ /SIDE



材料(环保)

单位	比例
mm	2:1

设计	2015-07-29	名称	规格图	页码	1/1
校对		代号	SFA1220-5M	版本	V2
审核					
批准					
标记	处数	更改文件号	担当	变更日期	