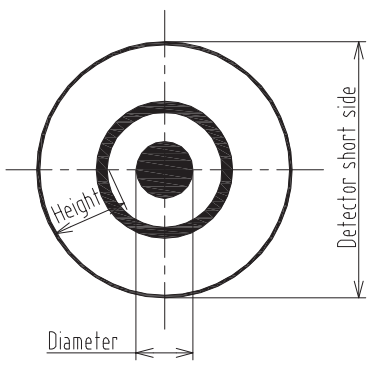
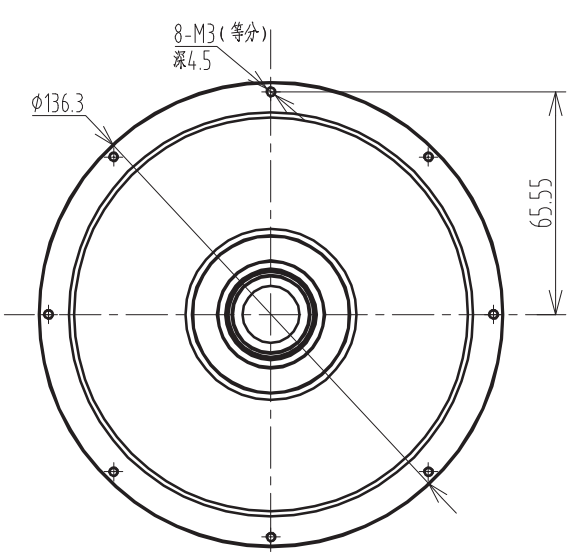
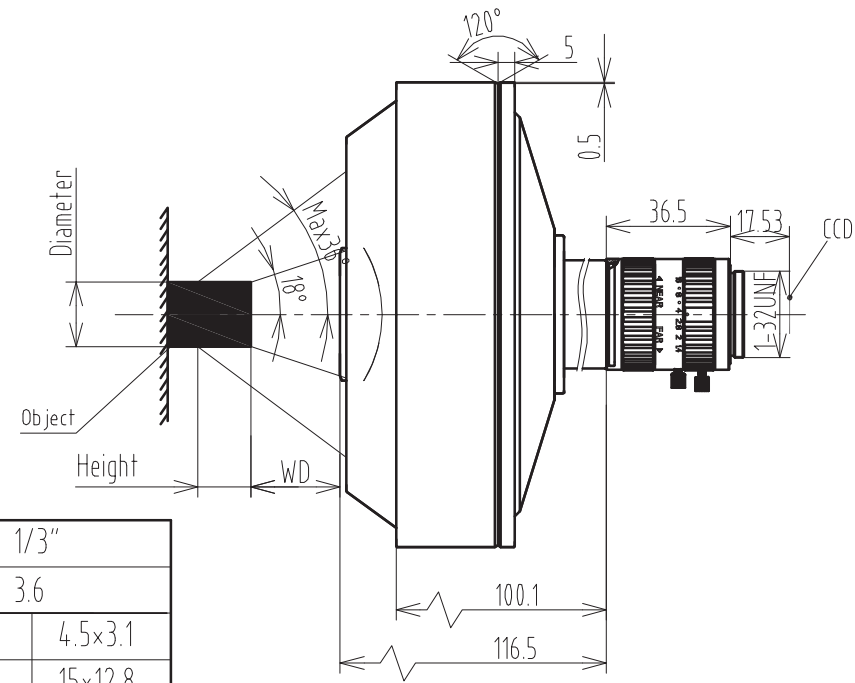


SOD3605



Detector Type	1/3"		
Image Circle	3.6		
Field of view (Dian×Height)	Min	4.5×3.1	
	Typical	15×12.8	
	Max	30×25.6	
Wavelength Range	450-650		
Working Distance	9-48		
F/#	6-16		
Mount	C-mount		

$$c (\%) = \frac{\text{Top view diameter (px)}}{\text{Detector short side (px)}} \times 100$$

Diameter mm	Height mm	WD mm	F/#	C %
4.5	3.1	48	16	10
7.5	6.4	46.5	16	14
10	8.5	43	12	19
15	12.8	34.7	10	30
20	17	27	8	43
25	21.3	19	6	55
30	25.6	9.7	6	62

					TOLERANCE: LINEARITY TOLERANCES ±0.05 ANGULAR TOLERANCES ARE ±30' DRAFT ANGLES AREA ±0.5°/SIDE			三角法		材料(环保)		单位	比例
								---		mm		15:1	
					设计			名称		规格书		页码	
					校对			代号		SOD3605		1:1	
					2018,03,21			审核		版本		V1	
					变更日期			批准					