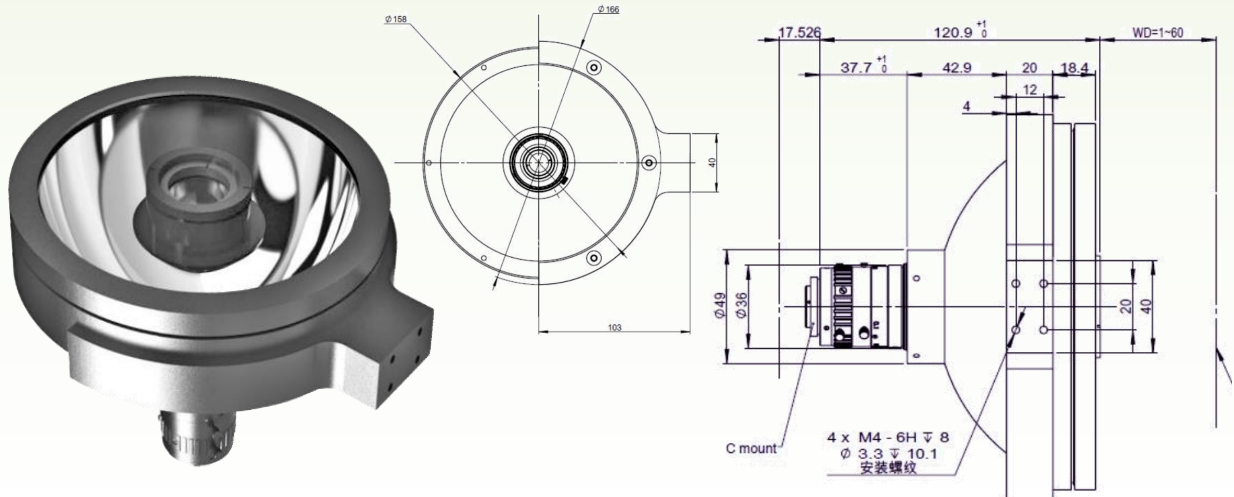


### SOD23100 ( 2/3" 100mm Out 360° Inspection 外壁 360 度检测镜头 )

1. 360° 2/3" outer view inspection 2/3"靶面 360 度外壁检测
2. Working distance object side 60mm 紧物方工作距 60mm
3. Object diameter 100mm Inspection 被测物直径 100mm
4. Application : Bottle, cap, cylinder object inspection. 适用于柱状、瓶子、瓶盖外壁检测



Model 型号										SOD23100									
Format 靶面										2/3"									
Wavelength 波长										450~650nm									
Dimension 外径										Φ158*120.9mm									
Marks其他										C Mount / 1300g / F2.8~16									
Dia. / mm	Hght / mm	W.D / mm	Hght / mm	W.D / mm	Hght / mm	W.D / mm	Hght / mm	W.D / mm	Hght / mm	W.D / mm	Hght / mm	W.D / mm	Hght / mm	W.D / mm	Hght / mm	W.D / mm	Hght / mm	W.D / mm	
Φ10	5	60	10	55	-	-	-	-	-	-	-	-	-	-	-	-	-	-	-
Φ15	5	58	10	53	15	48	-	-	-	-	-	-	-	-	-	-	-	-	-
Φ20	5	55	10	50	15	45	20	40	-	-	-	-	-	-	-	-	-	-	-
Φ25	5	52	10	47	15	42	20	37	25	32	-	-	-	-	-	-	-	-	-
Φ30	5	49	10	44	15	39	20	34	25	29	30	24	-	-	-	-	-	-	-
Φ35	5	45	10	40	15	35	20	30	25	25	30	20	35	15	-	-	-	-	-
Φ40	5	42	10	37	15	32	20	27	25	22	30	17	35	12	40	7	-	-	-
Φ45	5	39	10	34	15	29	20	24	25	19	30	14	35	9	40	4	43	1	-
Φ50	5	36	10	31	15	26	20	21	25	16	30	11	35	6	40	1	-	-	-
Φ60	5	30	10	25	15	20	20	15	25	10	30	5	34	1	-	-	-	-	-
Φ70	5	24	10	19	15	14	20	9	25	4	30	1	-	-	-	-	-	-	-
Φ80	5	18	10	13	15	8	20	2	22	1	28	-	-	-	-	-	-	-	-
Φ90	5	12	10	7	15	2	16	1	-	-	-	-	-	-	-	-	-	-	-
Φ100	5	6	10	1	-	-	-	-	-	-	-	-	-	-	-	-	-	-	-