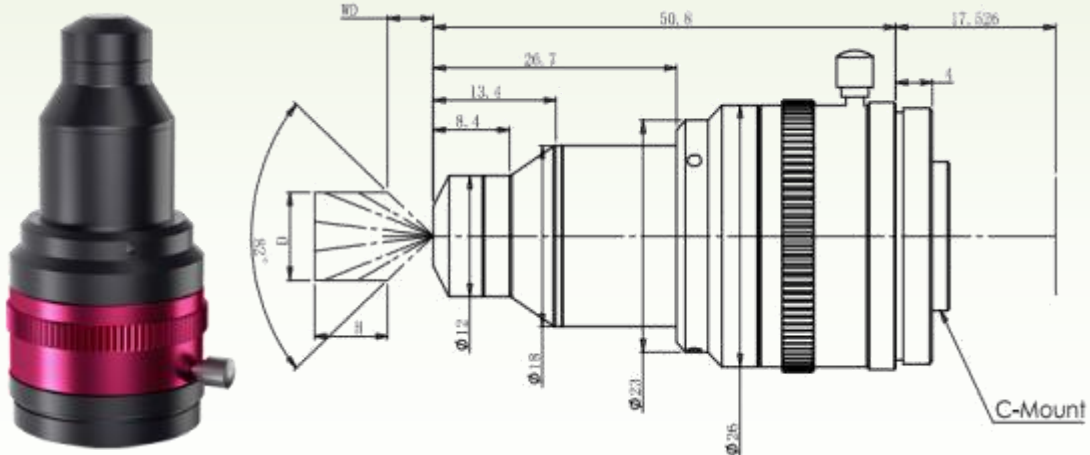


SRV82CL 360 Degree Inner Wall View Optics Lens

MP

2/3"

1. 360°inner side inspection 360 度内壁检测
2. High resolution & compact size 紧凑型高清晰度
3. Application for tube, auto, container inside inspection. 适用于管子、汽车发动机、罐体等内壁检测



Model 型号	SRV82CL	
Format 靶面	2/3"	
Resolution 像素	Megapixel	
Image circle 场高	Φ6.6	
Wavelength 波长	450~650	
Dimension 外径	Φ26*54.8mm	
Mount 接口	C	
Diameter (mm) 直径	Height (mm) 高度	Working Distance (mm) 工作距
5mm	4	5
10mm	6	7
20mm	20	13
30mm	30	17
40mm	40	24
50mm	50	27
60mm	60	33
80mm	80	44
100mm	100	55
120mm	120	65